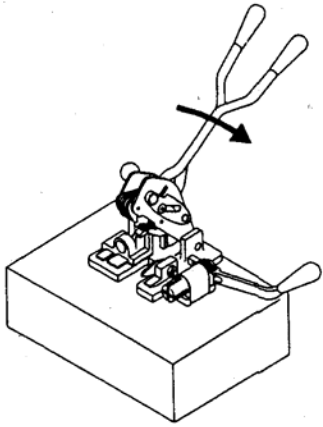
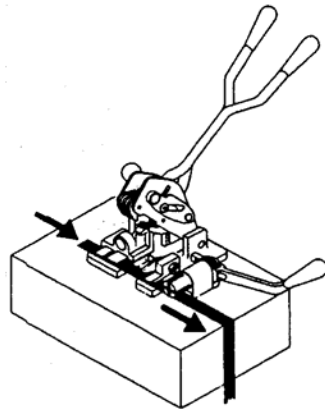


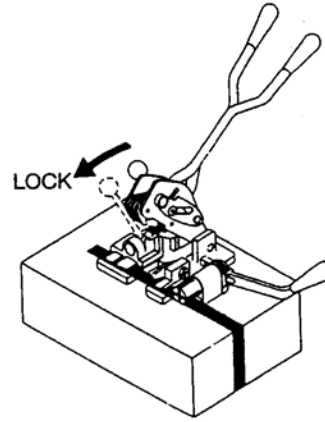
## 2 In 1 Strapping Tool



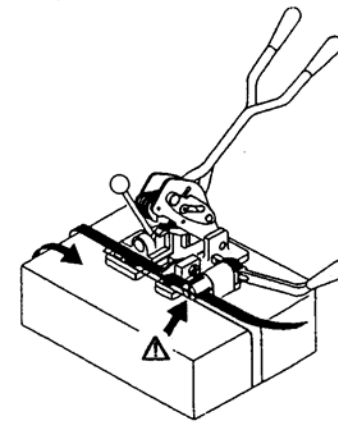
**1** Position Tool on Carton with Crimping Handle raised back.



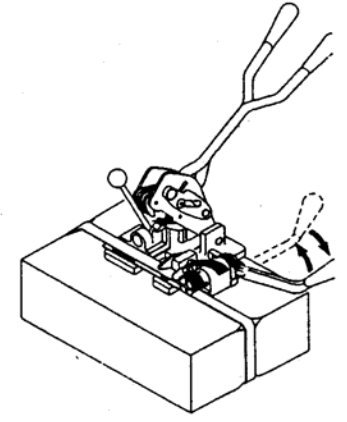
**2** Place free end of strapping into tool.



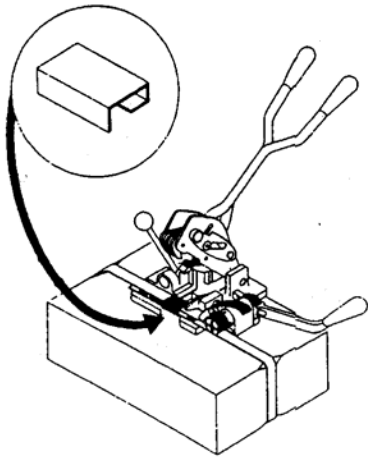
**3** Lock strapping into place.



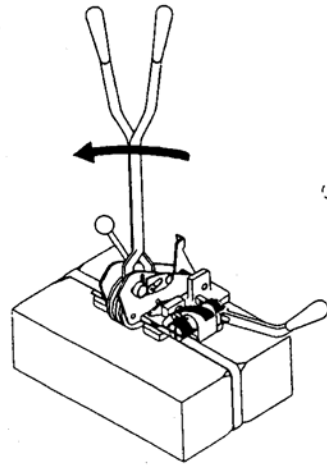
**4** Wrap Strap around carton and feed through cutter & windlass slot.



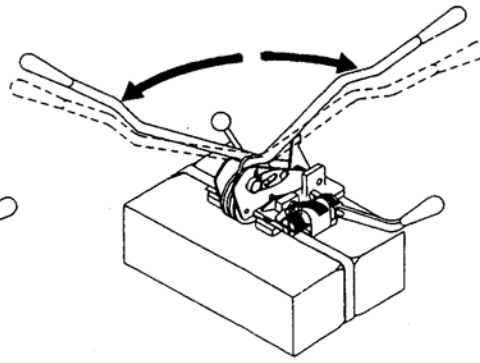
**5** Tension Strap by swing lever up and down.



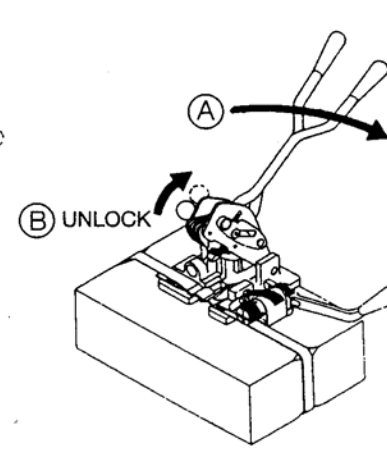
**6** Place clip over both straps.



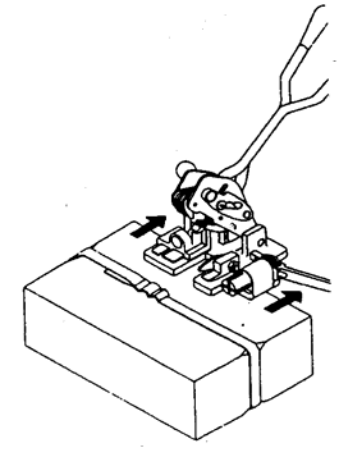
**7** Raise Crimping Handle into position.



**8** Crimping Clip by separating handles and pushing down. Strapping will be cut at fully extended, lower position.



**9** A) Bring handle back together and swing back.  
B) Unlock Strap Holder.



**10** Remove tool back.